



MODEL SELECTION

Part No.	PFC	Input Voltage
1U-500	APFC	100~240Vac

FEATURES

- Support Intel Core i5 & i7 and AMD Phenom & Athlon CPUs
- +12V1 ,+12V2 Dual channel output
- Auto-thermal fan control technology maximizes acoustic & heat performance
- Protection of over voltage, over power & short circuit
- 20+4pin & 4+4pin detachable headers for M/B & CPU connections
- High RPM Dual Ball Bearing Fan,better heat dissipation for life span

GENERAL SPEC.

Hold-up Time	16ms@115Vac/60Hz or 230Vac/50Hz
Dimensions	190 x 100 x 40 (mm)
MTBF	100KHrs
Output Rise Time	0.2~20ms
PG Signal Rise Time	10ms max.

ENVIRONMENTAL SPEC.

Operating Temperature	0 ~ 45°C
Storage Temperature	-40 ~ 70°C

OUTPUT CURRENT CAPACITY

Voltage	Min. Load	Max. Load	Combined	Output
+5V	0A	12A	80W	486W
+3.3V	0A	12A		
+12V1	0.5A	20A	480W	
+12V2	0.5A	20A	480W	
-12V	0A	0.3A	3.6W	14W
+5Vsb	0A	2A	10W	

SAFETY

1U-500: UL, FCC, CE

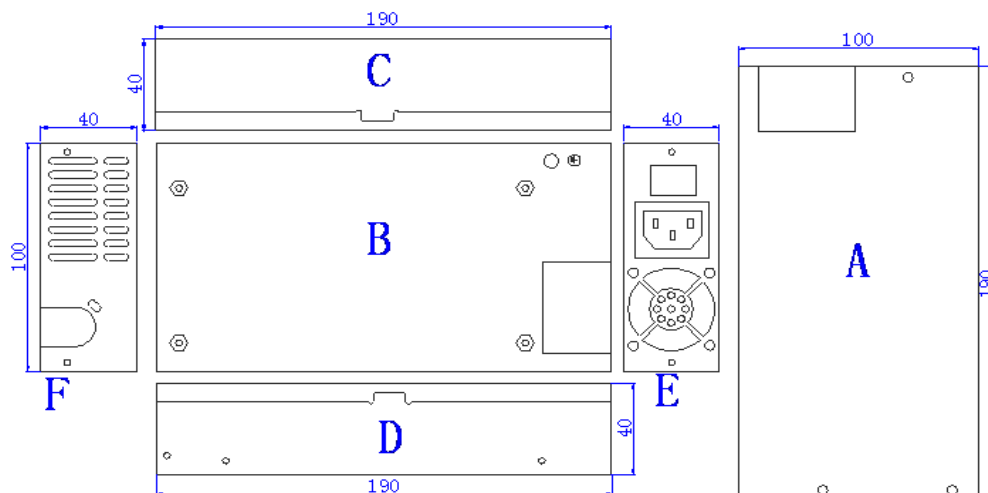
INPUT SPEC.

Input Voltage	100~240Vac
Input Frequency	50/60Hz
Leakage Current	3.5mA@230V/50Hz
AC Input Current	8A@115V; 4A@230V
EMI/RFI	CISPR 22 & FCC Part 15 Class B

OUTPUT SPEC.

Rated Power	500W
Max. Power	600W
Efficiency	82% above@110Vac , 85% above@230Vac
OVP	+3.3V: 4.5V, +5V: 7V, +12V1: 15V, +12V2: 15V
SCP	Latch off all main outputs reset by cycling on/off control or AC power
OPP	600W~675W (120%~135%)

OUTLINE DRAWING



Cabling:

- 20+4pin for M/B x 1
- 4+4pin for CPU x 1
- SATA x 3
- FDD 4pin x 1
- Peripheral 4pin x 2
- PCI Express x 2
- 4pin for CPU x 2