



勵人電子股份有限公司

LEADMAN ELECTRONIC CO., LTD.

Switching Power Adapter

Model : CP050085 (美規)

Output : 5V/0.85A (Max. 1A)



Features :

- High Efficiency, high reliability
- Universal full range AC input
- Over voltage protection
- Short circuit protection
- Low ripple noise
- 1 year warranty

Output specification :

- Single Voltage : +5V
- MAX. Load : 1A
- MIN. Load : 0A
- Regulation : +/- 5%
- Ripple & Noise : Under 1% (Peak to Peak Maximum)
- Efficiency : > 73.7% (For Level VI)

Reliability :

- Burn in test : 4 hours, 30 +/- 5 °C, full load, 110VAC 60Hz
- MTBF: 30,000 Hours at 80% of full load. 25°C ambient

Input specification :

- Voltage Range : 100~240VAC
- Frequency : 50/60 Hz
- Current : < 0.12A@90Vac full load condition
- Inrush current : < 10A@100V, < 20A@240V
- Leakage current : < 0.25mA

Environment :

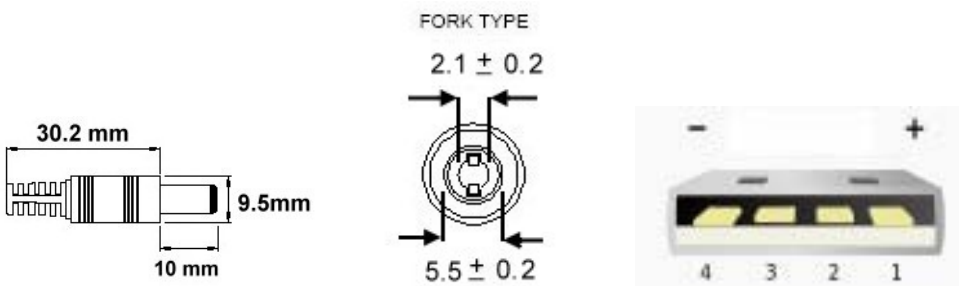
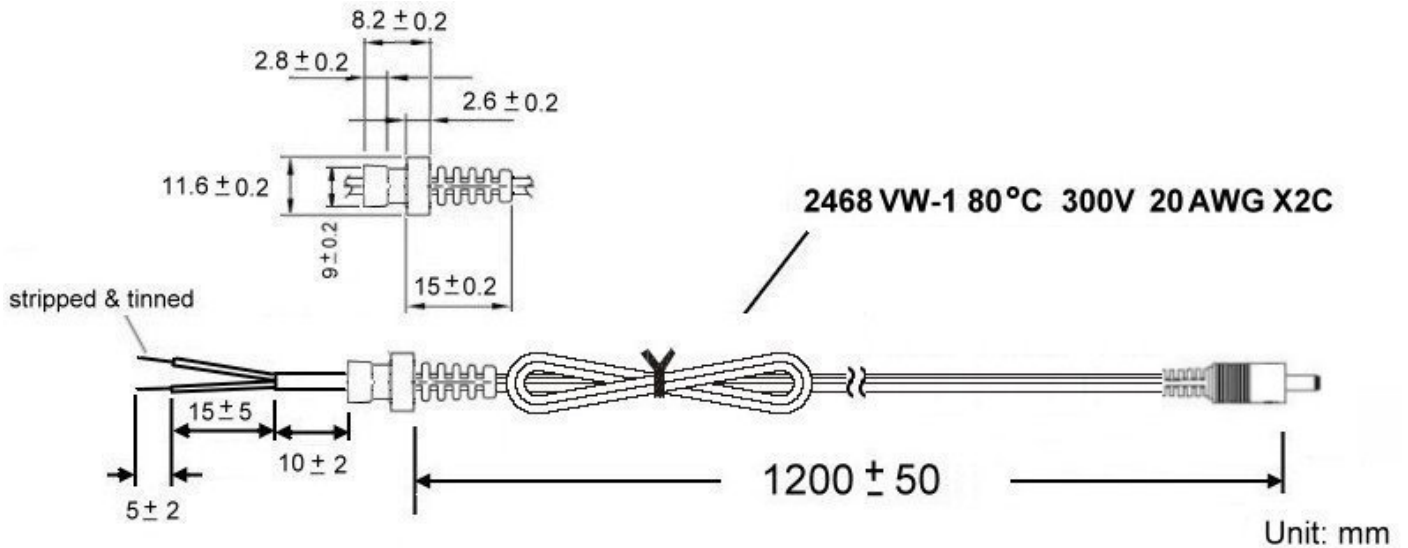
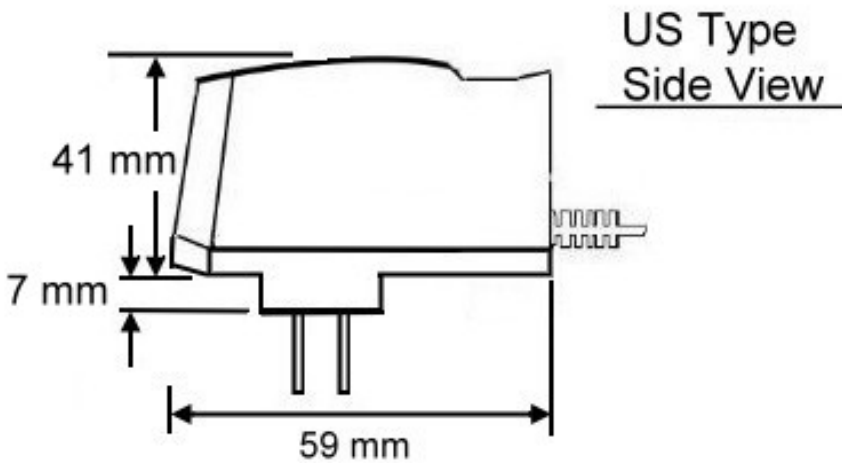
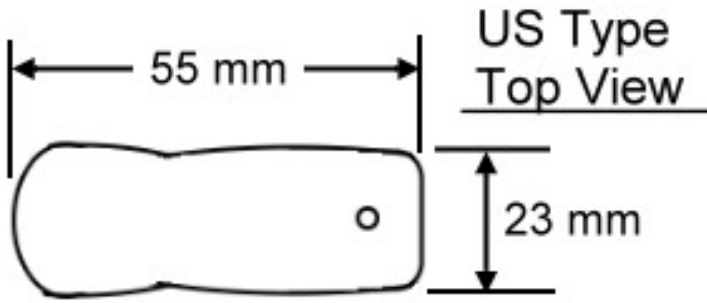
- Operating temperature range : 0 °C ~ +40 °C
- Storage temperature : -40 °C ~ +70 °C
- Operating humidity : 10% to 90% RH(Non-Condensing)
- Storage humidity : 5% to 95% RH(Non-Condensing)

EMC & Safety :

- Complies with FCC Class B; CNS13438
- Meet UL 60950-1; IEC 60950-1; CNS 14336

Mechanical Specification:

BODY DIMENSION: 59(L) x 23(W) x 41(H) mm



Plug Option: DC Plug, Mini USB, Micro USB USB on board